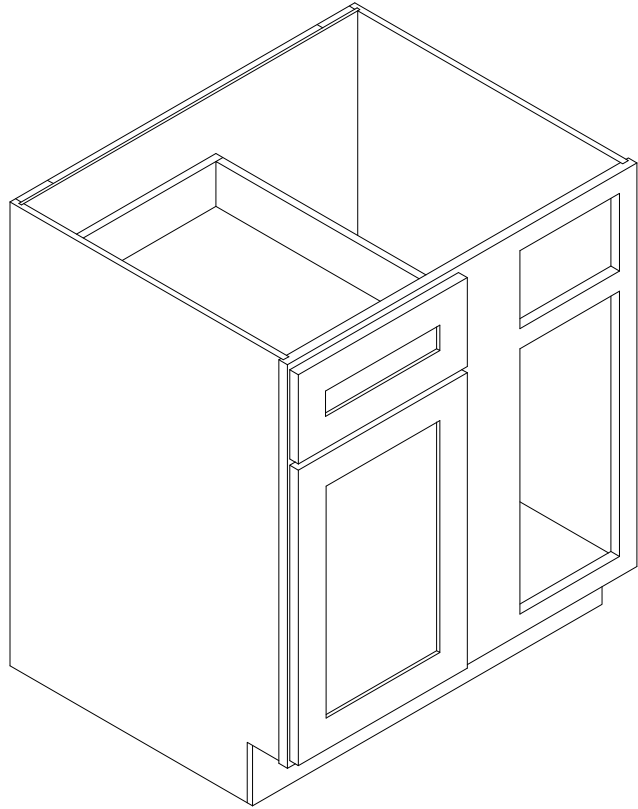
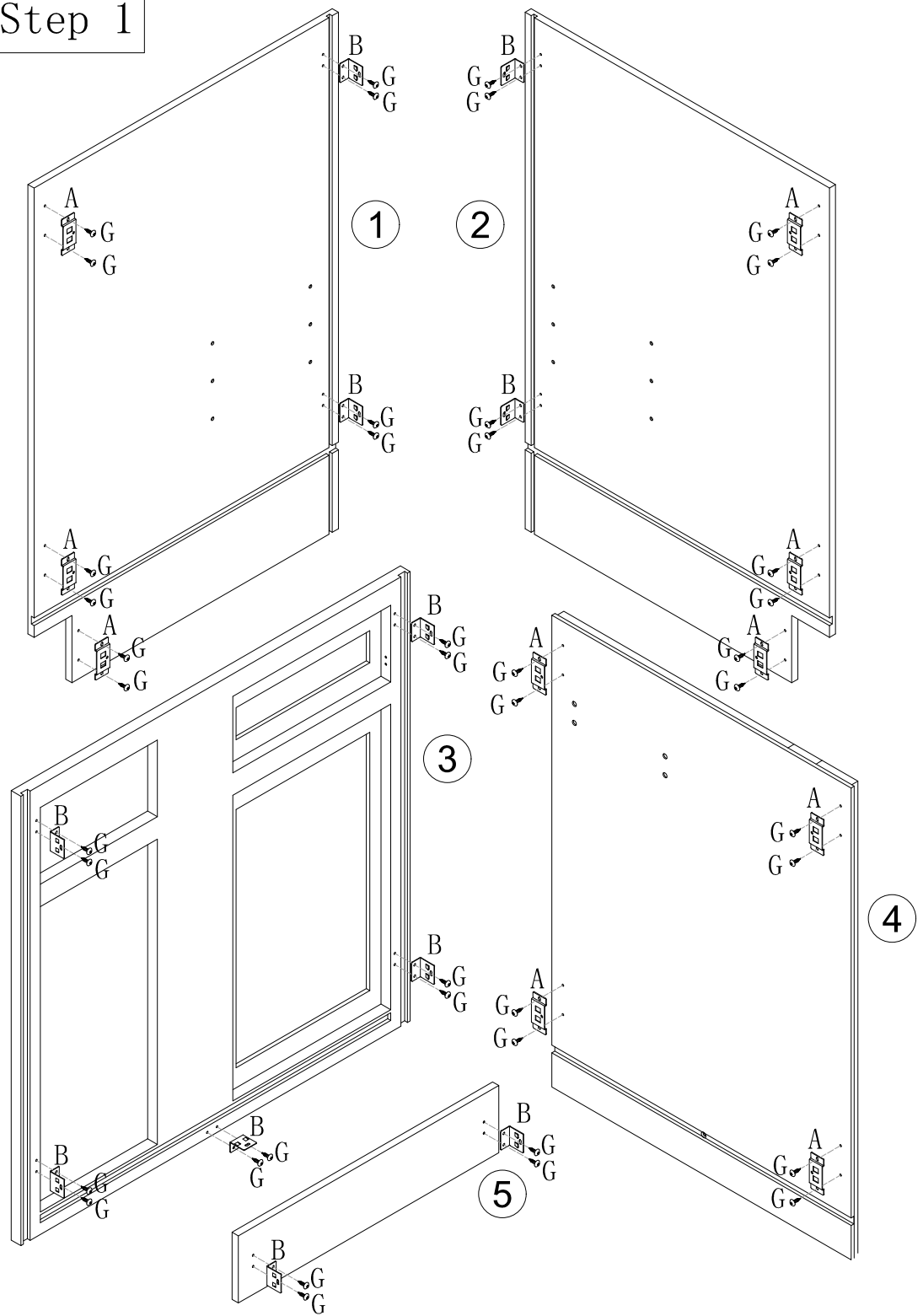


ASSEMBLY INSTRUCTIONS

BB36



Step 1

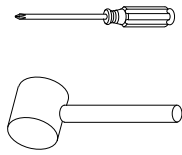


Parts list

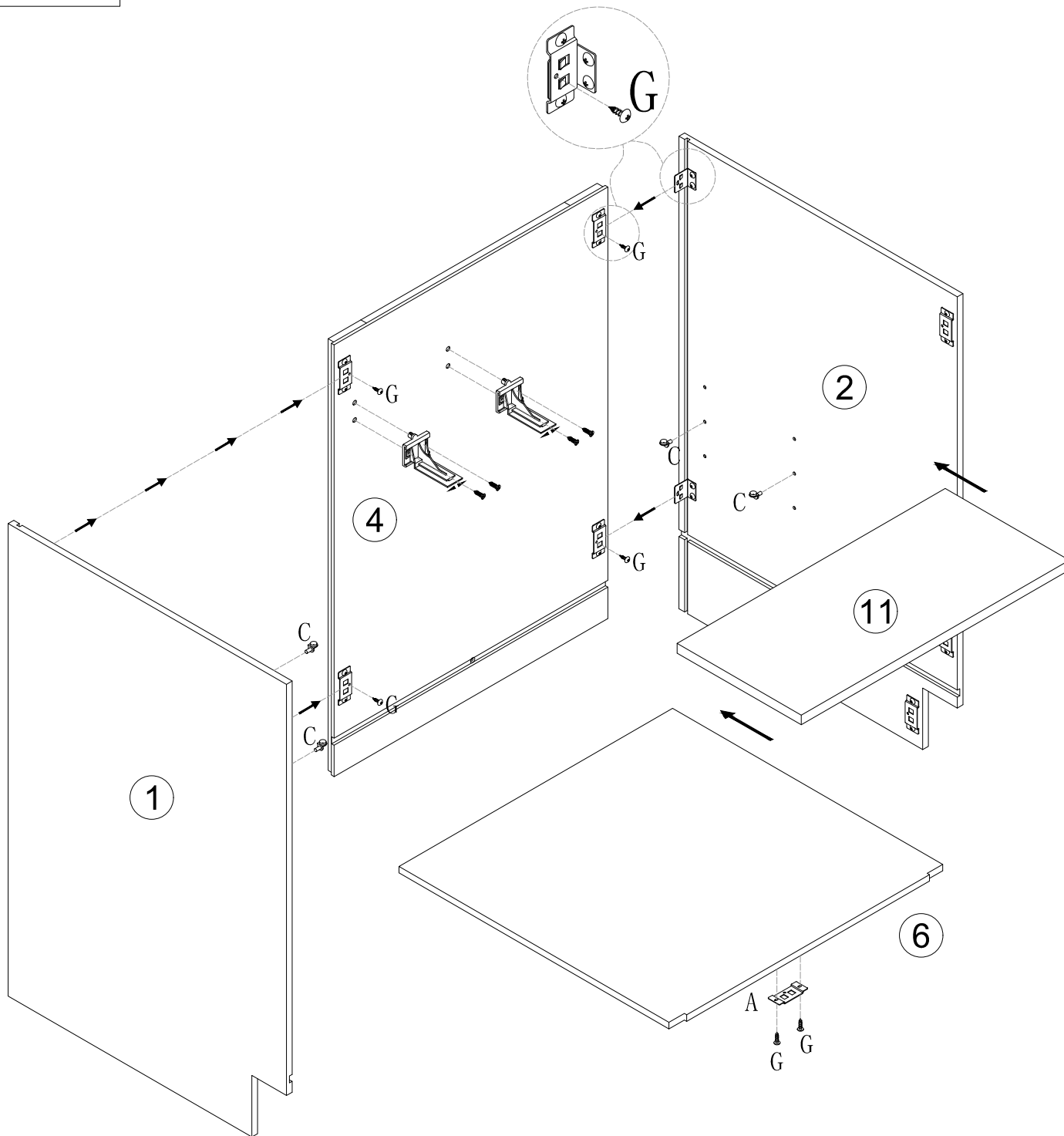
NO.	Parts	QTY
A		11
B		11
C		4
D		16
E		4

NO.	Parts	QTY
F		1
G		55
H		1

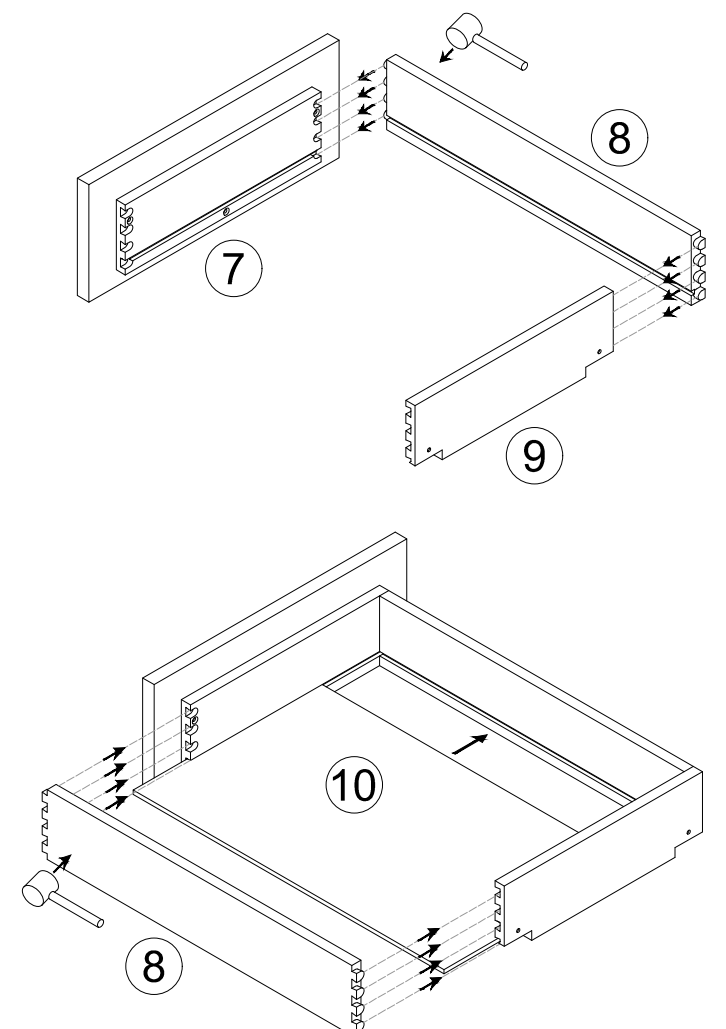
Tools
(required but not provided)



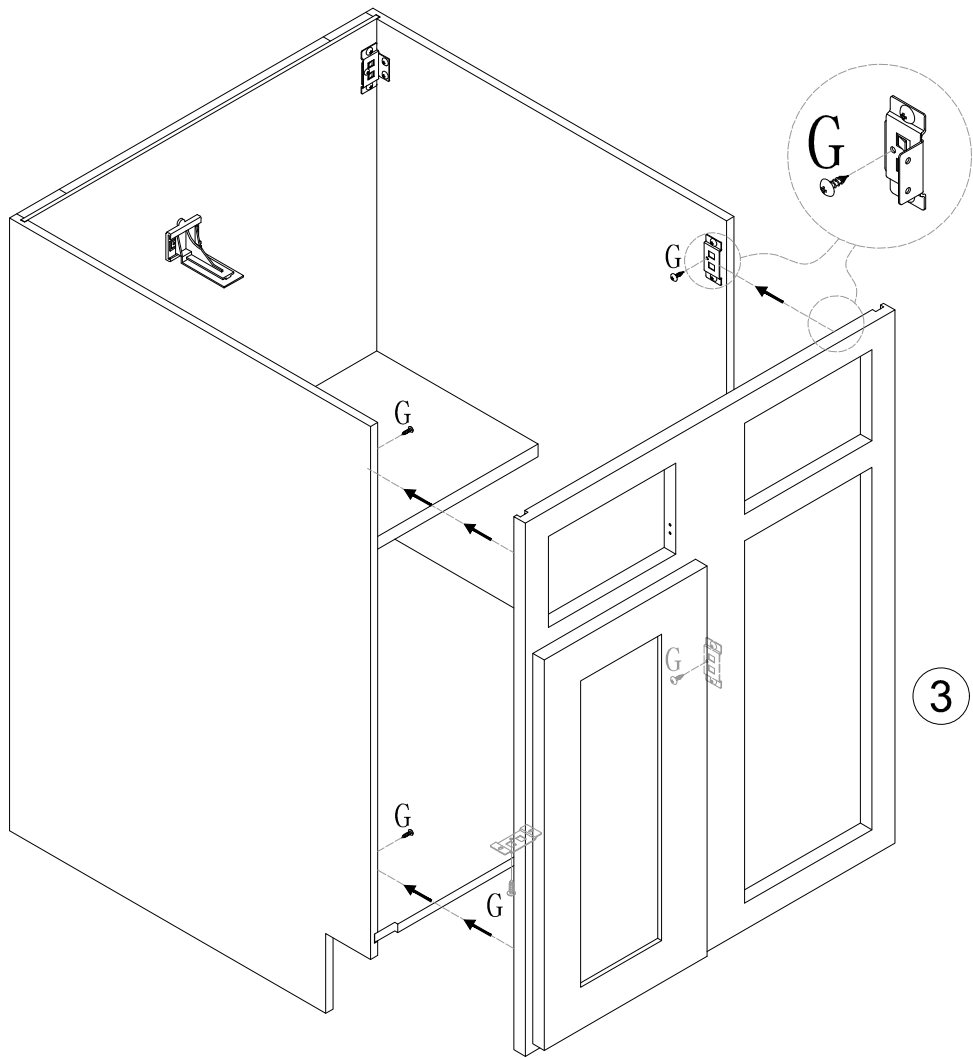
Step 2



Step 3

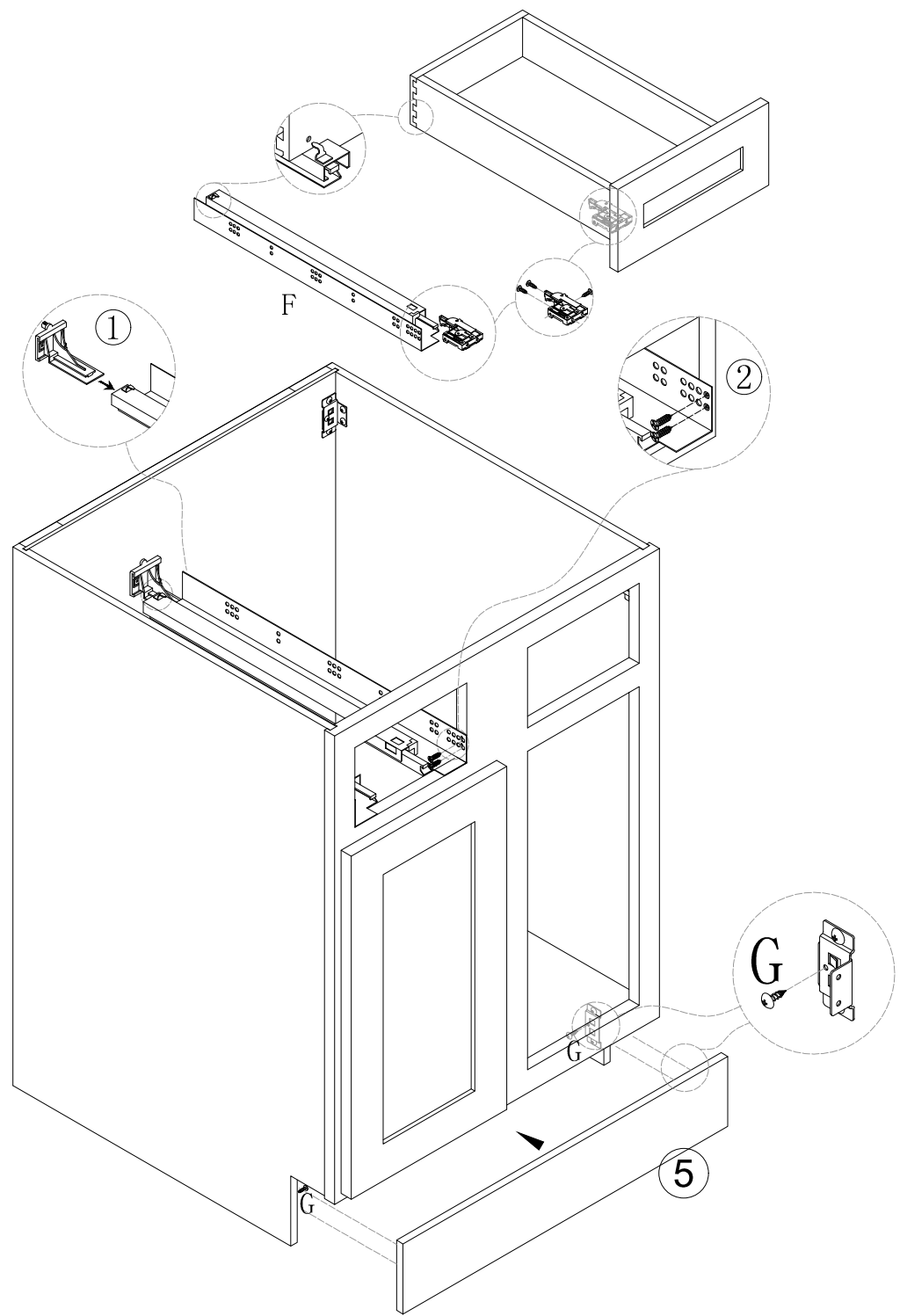


Step 4



3

Step 5



5

Finished

